

**Series** - EXTREME E

**Code** - 237302

**Finish** - Chrome

**WELS** - 6 Star - 1.5 or 3 or 5.5lpm available

**Activation** - Infrared sensor (adjustable)

**Installation** - Bench Mount

**Water Supply** - Cold or Pre Mixed

**Water Temp** - Max 70`c

**Warranty** - 2 years

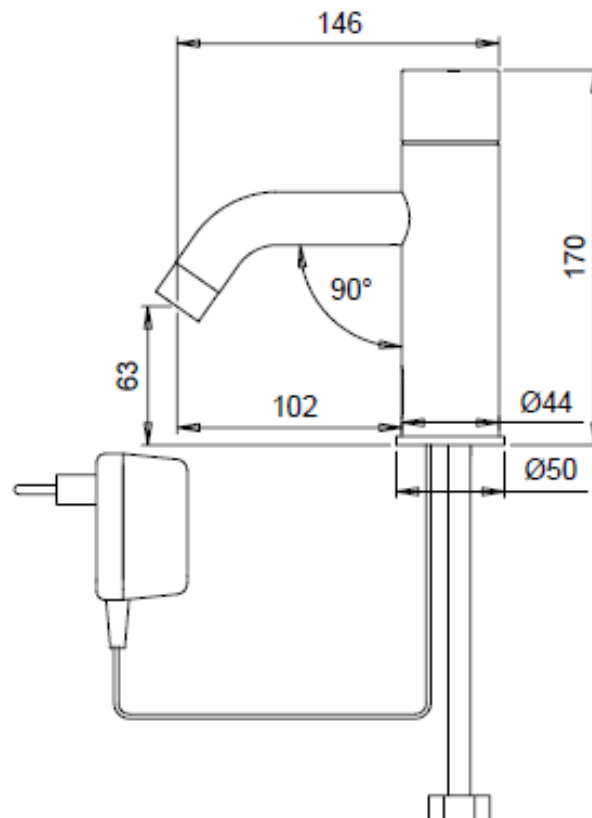
**Operating Pressure** - 0.5 - 8 bar

**Power Source** - 9V Transformer

**Soap Dispenser** - Available

**Use** - The faucet will automatically activate when users place their hands in the sensor range and will stop once the users remove their hands. Ideal for but not limited to shopping malls, sport facilities, doctor surgery's and entertainment centres.

**stern**  
STERN ENGINEERING LTD.



Gro Agencies Pty Ltd  
Showroom: Unit 2, 37 Howe Street, Osborne Park, WA  
Ph: 08 9446 3288 E: info@groagencies.com.au W: groagencies.com.au

**gro**  
agencies